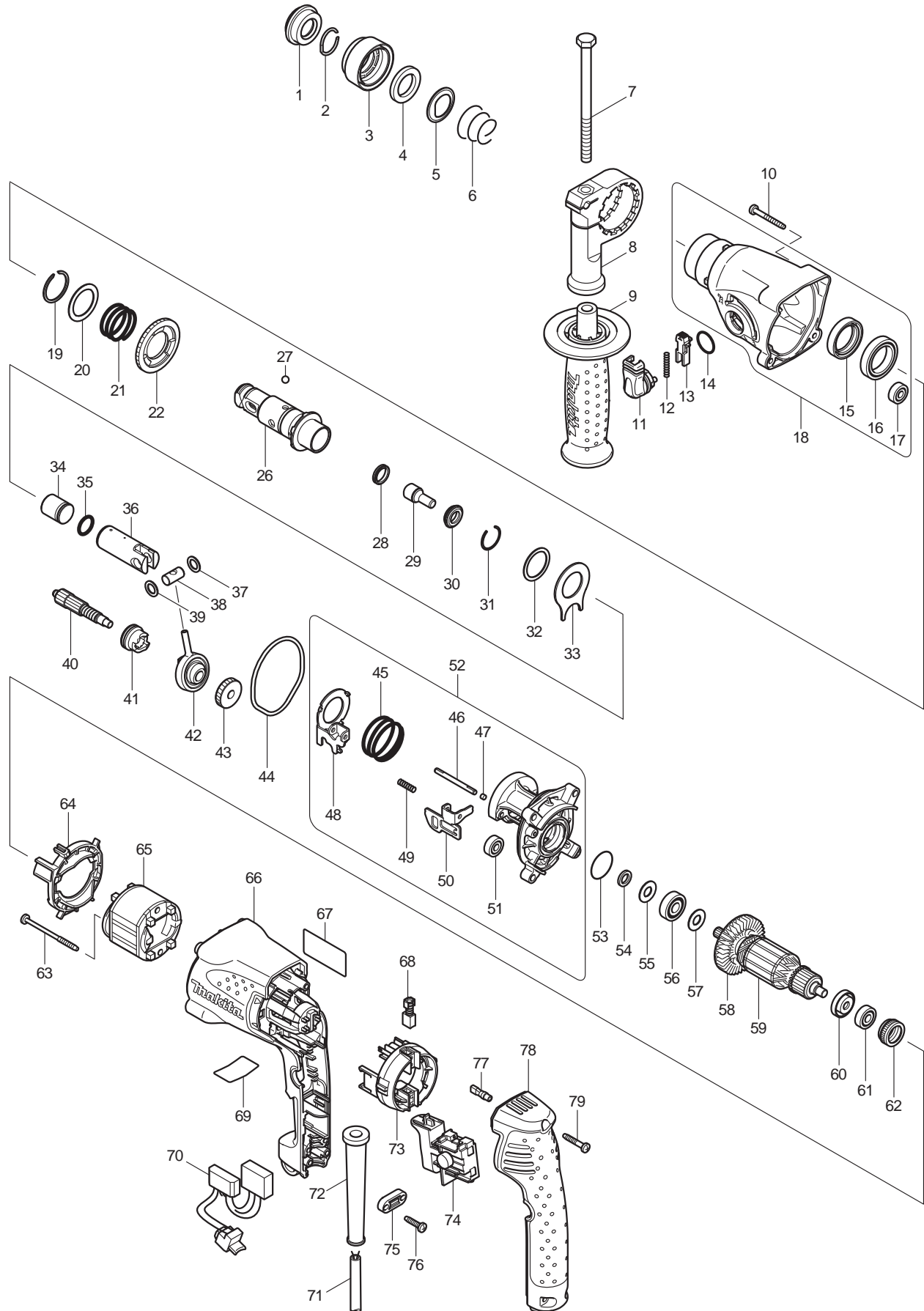




11 - 2010

HR1830F

# SDS-PLUS 11/16" ROTARY HAMMER



Item No.	Type	Sub	Part No.	Description	Q'ty	Unit
1			286263-4	CAP 35	1	PC.
2			233940-9	RING SPRING 19	1	PC.
3			419220-9	CHUCK COVER	1	PC.
4			257241-1	RING 21	1	PC.
5			345187-4	GUIDE WASHER	1	PC.
6			233916-6	CONICAL COMP. SPRING 21-29	1	PC.
7			921923-8	HEX. BOLT M8X120	1	PC.
8			417911-6	GRIP BASE	1	PC.
9			158057-6	GRIP 36 COMPLETE	1	PC.
	INC.		931402-8	HEX. NUT M8	1	PC.
10			266053-1	TAPPING SCREW 4X35	4	PC.
11			162242-5	CHANGE LEVER COMPLETE	1	PC.
12			233459-8	COMPRESSION SPRING 3	1	PC.
13			419192-8	LOCK BUTTON	1	PC.
14			213278-8	O RING 17	1	PC.
15			213535-4	OIL SEAL 25	1	PC.
16			211375-4	BALL BEARING 6805LLB	1	PC.
17			211012-0	BALL BEARING 606ZZ	1	PC.
18			154840-9	GEAR HOUSING COMPLETE	1	PC.
	INC.			Item No. 15-17		
19			961135-1	RETAINING(EXT) WR-25	1	PC.
20			267304-5	FLAT WASHER 25	1	PC.
21			233457-2	COMPRESSION SPRING 25	1	PC.
22			331707-0	SPUR GEAR 46	1	PC.
26			154843-3	TOOL HOLDER COMPLETE	1	PC.
27			216022-2	STEEL BALL 7.0	1	PC.
28			213183-9	X RING 13	1	PC.
29			324611-0	IMPACT BOLT	1	PC.
30			257275-4	RING 11	1	PC.
31			233942-5	RING SPRING 22	1	PC.
32			267175-0	FLAT WASHER 24	1	PC.
33			345681-6	JOINT PLATE	1	PC.
34			324613-6	STRIKER	1	PC.
35			213182-1	O RING 14	1	PC.
36			331708-8	PISTON CYLINDER	1	PC.
37			267130-2	FLAT WASHER 9	1	PC.
38			324612-8	PISTON JOINT	1	PC.
39			267130-2	FLAT WASHER 9	1	PC.
40			227152-4	SPUR GEAR 10	1	PC.
41			331706-2	CLUTCH CAM	1	PC.
42			219019-0	SWASH BEARING 9	1	PC.
43			226620-4	HELICAL GEAR 23	1	PC.
44			423346-1	SEAL RING	1	PC.
45			233458-0	COMPRESSION SPRING 32	1	PC.
46			268147-8	PIN 4	1	PC.
47			443123-5	FELT 4X3	1	PC.
48			345645-0	CHANGE PLATE	1	PC.
49			233460-3	COMPRESSION SPRING 3	1	PC.
50			345654-9	STOPPER PLATE	1	PC.
51			211012-0	BALL BEARING 606ZZ	1	PC.
52			154841-7	INNER HOUSING COMPLETE	1	PC.
	INC.			Item No. 45-51		
53			213953-6	O RING 24	1	PC.
54			267302-9	FLAT WASHER 9	1	PC.
55			267231-6	FLAT WASHER 9	1	PC.
56			210060-6	BALL BEARING 609LLU	1	PC.
57			267231-6	FLAT WASHER 9	1	PC.

Item No.	Type	Sub	Part No.	Description	Q'ty	Unit
58			240083-0	FAN 52	1	PC.
59			515646-4	ARMATURE ASS'Y 115V	1	PC.
		INC.		Item No. 56-58,60,61		
60			681636-0	INSULATION WASHER	1	PC.
61			210017-7	BALL BEARING 607DDW	1	PC.
62			421868-5	LABYRINTH RUBBER RING 19	1	PC.
63			266091-3	TAPPING SCREW 4X50	2	PC.
64			419196-0	BAFFLE PLATE	1	PC.
65			633621-9	FIELD 115V	1	PC.
66			419200-5	MOTOR HOUSING	1	PC.
67			862451-3	HR1830F NAME PLATE	1	PC.
68			195007-0	CARBON BRUSH CB-407 2PC/SET (W/ORIGIN)	1	SET
69			814935-7	HR1830F SERIAL NUMBER LABEL	1	PC.
70			631570-4	LIGHT CIRCUIT	1	PC.
71			664895-1	CORD W/PLUG 2P-18-4.0M, SJ	1	PC.
72			682559-5	CORD GUARD 8	1	PC.
73			638236-7	BRUSH HOLDER UNIT	1	PC.
74			650570-5	SWITCH TG843TB-2	1	PC.
75			687063-9	CORD CLAMP	1	PC.
76			265995-6	TAPPING SCREW 4X18	2	PC.
77			686038-5	RECEPTACLE SLEEVE	2	PC.
78			419197-8	HANDLE COVER	1	PC.
79			265999-8	TAPPING SCREW 4X25	3	PC.
C01			848006-8	CARTON	1	PC.
D01			654025-2	RECEPTACLE FS2.8B-1.25-5	2	PC.

#### **ACCESSORIES**

A01			415486-9	DEPTH GAUGE	1	PC.
A03			824650-5	PLASTIC CARRYING CASE	1	PC.
		INC.	417724-5	LATCH	2	PC.
		INC.	819144-3	MAKITA LOGO LABEL	1	PC.
A04			195197-9	HAMMER SERVICE KIT SET	1	PC.
		INC.	191927-6	CARBON BRUSH CB-407 2PC/SET (Use 195007-0 for replacement )	1	SET
		INC.	286263-4	CAP 35	1	PC.
		INC.	213183-9	X RING 13	1	PC.
		INC.	233942-5	RING SPRING 22	1	PC.
		INC.	213182-1	O RING 14	1	PC.
		INC.	423346-1	SEAL RING	1	PC.
		INC.	183477-5	HAMMER GREASE 30G	1	PC.
A05			194580-7	DUSTCUP SET	1	PC.
A06			194581-5	GRIP BASE SET	1	PC.
		INC.	122810-6	SPACER 18 ASS'Y	1	PC.
		INC.	450120-4	GRIP BASE 15	1	PC.
		INC.	921919-9	HEX. BOLT M8X110	1	PC.
A07			122574-2	1/2" DRILL CHUCK ASSY(SDS-PLUS)	1	PC.
		INC.	192877-8	1/2" DRILL CHUCK	1	PC.
		INC.	751106-4	CHUCK ADAPTOR SDS-PLUS	1	PC.
		INC.	251425-3	(-) FLAT HEAD SCREW M6X22	1	PC.
A08			D-14093	CHUCK ADPATOR ASSY	1	PC.
		INC.	751106-4	CHUCK ADAPTOR SDS-PLUS	1	PC.
		INC.	251425-3	(-) FLAT HEAD SCREW M6X22	1	PC.
		INC.	824711-1	PLASTIC CASE(N/A)	1	PC.
A09			763432-9	CHUCK KEY S13	1	PC.
A10			192877-8	1/2" DRILL CHUCK	1	PC.
A11			421342-3	DUST CUP 5	1	PC.
			421664-1	DUST CUP 9	1	PC.
A12			191686-2	SAFETY GOGGLES	1	PC.

<b>Item No.</b>	<b>Type</b>	<b>Sub</b>	<b>Part No.</b>	<b>Description</b>	<b>Q'ty</b>	<b>Unit</b>
A13			194683-7	BIT GREASE VESSEL SET, 100CC	1	PC.
A14			765009-6	BLOW-OUT BULB	1	PC.
A15			P-80015	ROTARY HAMMER DUST EXTRACTOR ATTACHMENT	1	PC.